



## #226B SALMON HEADER MECHANICAL AIR KNIFE

### RYCO AUTOMATIC SALMON HEADER: SAFE, RELIABLE, ACCURATE, PROVEN...

The RYCO #226 Automatic Salmon Header removes Salmon heads: fresh or frozen.

Based Rycos headers used throughout the world for many years, this new machine is all mechanical, with cam operated blade. It does not have a gulleter, which is not required with the new Rycos #645 Salmon Gutter.

No air is required, and only a small amount of water to lubricate the blade.

The head cut is the Japanese standard for top grade, H&G product with maximum recovery. Collar is not damaged, pectoral fins are not removed, only a small amount of meat is exposed.

Improved fish control is provided with the top belt close to the collar.

The machine structure is heavy stainless steel, and all the mechanisms are stainless, bronze, and high tensile plastic. There are no aluminum components.

#### FEATURES:

- Safe operation with conveyor feed
- Continuous feed sets rate for entire processing line
- More accurate head cut than any other header
- Top belt within 1/2" of collar cut for more small fish reliability.
- No gulleter
- No air cylinders
- Continuous motion.
- Fish rates over 60 fish per minute
- Fish sizes from 1 lb to 18 lb
- Operating weight 2200 lb

#### OPERATION:

Fish are manually loaded onto the feed chain with the locating pin through the gill at the location of the intended cut. The fish then automatically advance into the knife section where the head cut is made.

Fish are discharged suitable for auto feeding gutters.



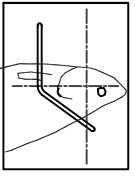
SPECIFICATIONS MAY CHANGE, CONTACT RYCO FOR SPECIFIC APPLICATIONS

Address: 6810 220<sup>th</sup> St. SW  
Mountlake Terrace, WA 98043  
USA

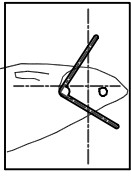
Phone #: 425-744-0444  
Fax #: 425-673-2666

Web: [rycous.com](http://rycous.com)  
E-mail: [sales@rycous.com](mailto:sales@rycous.com)

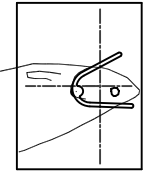
OVERLEAF: D4803-A1



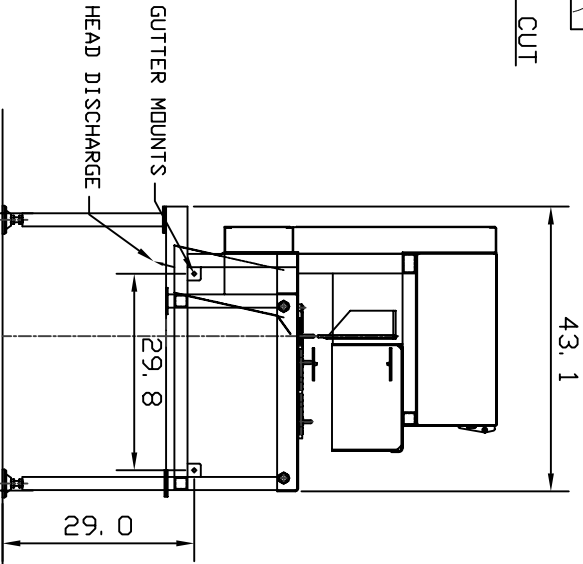
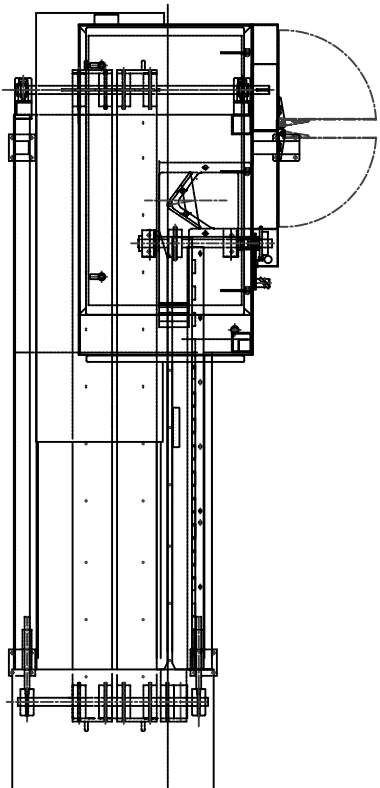
CANNERY CUT  
COLLAR DFF



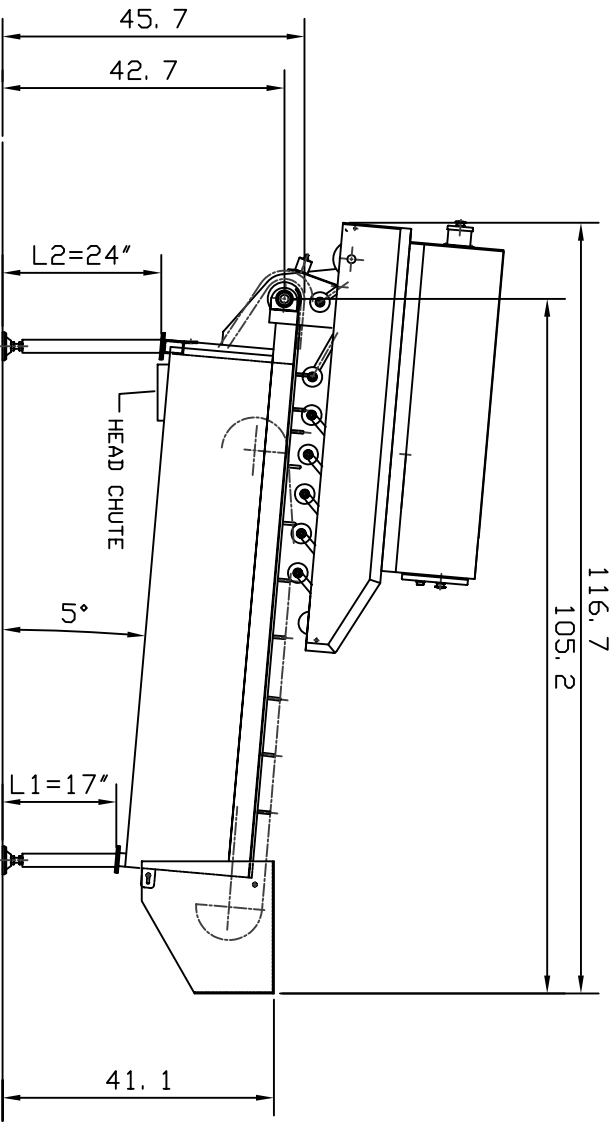
STANDARD CUT  
COLLAR DN



SMALL FISH CUT  
COLLAR DN



DISCHARGE ELEVATION



SIDE ELEVATION

- NOTE:
1. SHIPPING CRATE APPROX. 46'x60'HIGHx150'LONG
  2. SHIPPING WEIGHT APPROX. 1200 LBS
  3. POWER=2HP 208, 220 DR 440VAC, Variable speed controlled.