



**AUTOMATIC AND FAST BOX TARGET WEIGHT FILLING
FOR SQUID, HERRING, SARDINES, AND MANY MORE!**



FEATURES:

- Box weights from 5 to 50 KG. (10 to 100 lb.)
- Weighing accuracy: 95% of all weights +/- 1.5% of mean
- Weighing speed: 4mt/hour (single), 8mt/hour (double)
- All stainless construction
- Easily setup, calibrated, and maintained by plant personnel
- All components are industry standard, easily purchased from local supplier
- Certified weigh system components

0	50.0	0	50.0
>Hopper #1<		Hopper #2	
0.0		0.0	
Feeding		Waiting	
01/01/11 Kilograms 18:54:52			
Batch ID: 2		Draft: 22	
SPECIES: PINKS			
DEST : TANK 1			
Last: 55.00kg			
Total: 1545.10kg			
			End

OPTIONS:

- Double hopper
- Automatic box feed conveyor

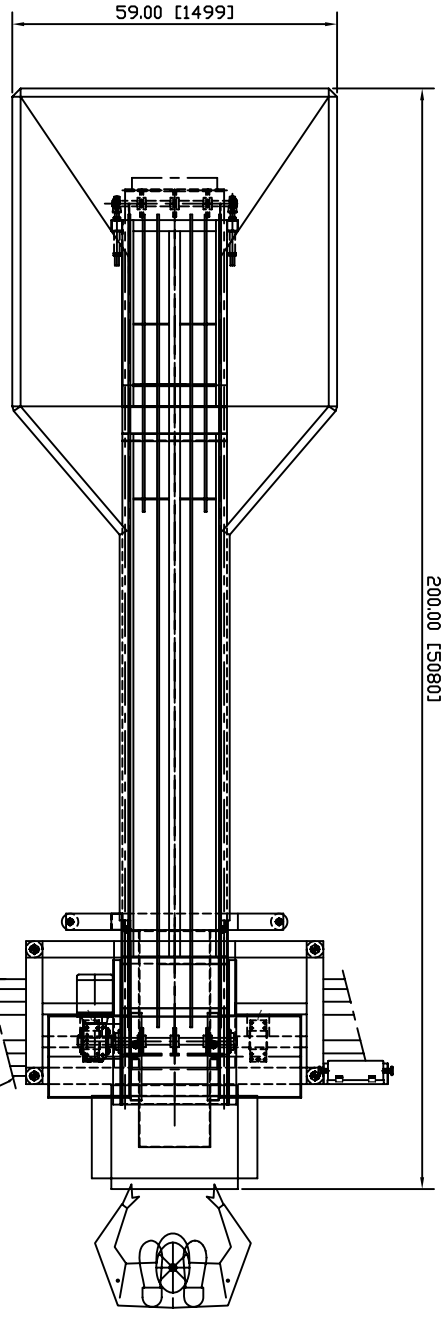
SPECIFICATIONS MAY CHANGE, CONTACT RYCO FOR SPECIFIC APPLICATIONS

OVERLEAF: D4798-A1

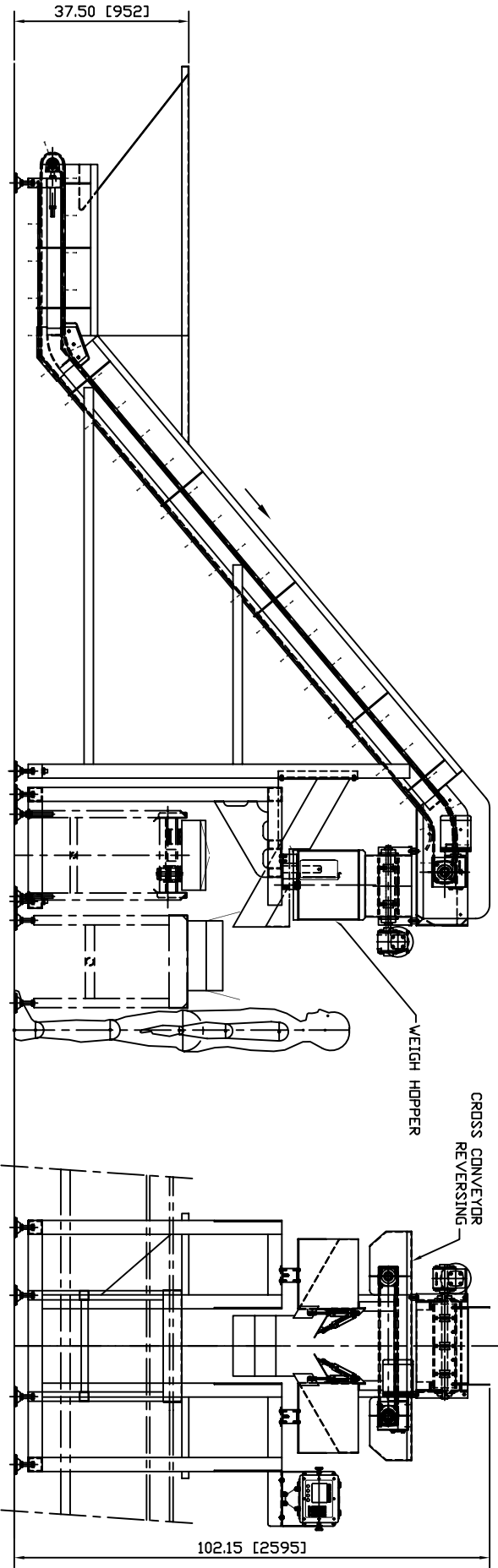
Address: 6810 220th St. SW
Mountlake Terrace, WA 98043
USA

Phone #: 425-744-0444
Fax #: 425-673-2666

Web: rycous.com
E-mail: sales@rycous.com



PLAN VIEW



SIDE ELEVATION

FRONT ELEVATION