



### **RYCO HYDRAULIC TOTE DUMPER**

designed for the special conditions of fish processing plants. Stainless, self contained, portable, and high capacity.

This unique design is specifically designed to dump totes of fish, which are loaded into the dumper with a pallet jack.

The dumper is lifted and dumped by two large hydraulic cylinders.

The unit is powered either by an electric or hydraulic power unit mounted on the main frame.

#### **FEATURES:**

- Heavy stainless frame
- Large hydraulic cylinders with stainless rods
- Electric or hydraulic power
- Installed dry weight 700lbs (318kg)

#### **OPTIONS:**

- Lift and rotate mechanism



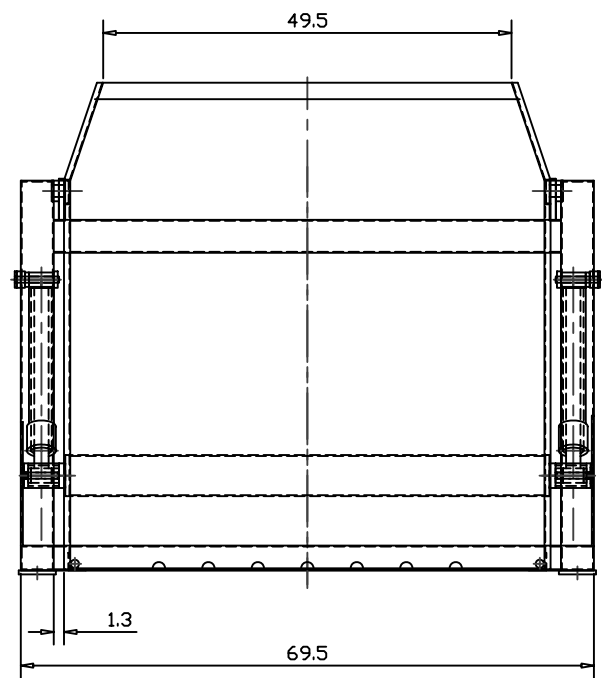
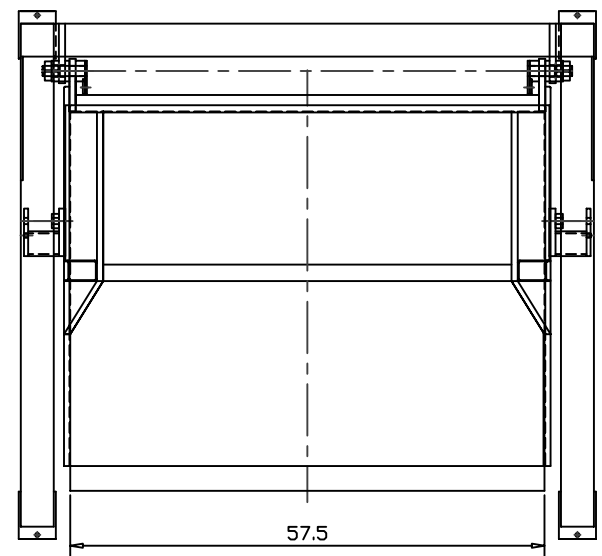
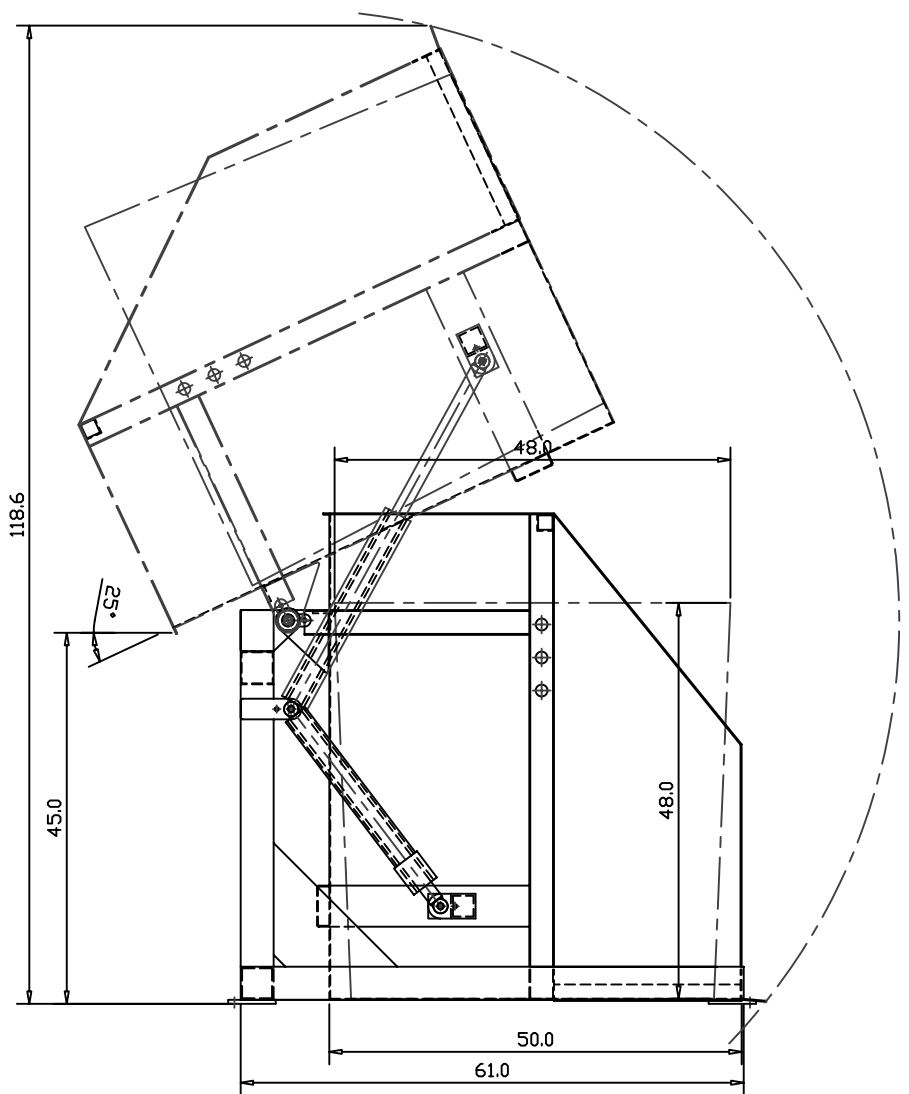
SPECIFICATIONS MAY CHANGE, CONTACT RYCO FOR SPECIFIC APPLICATIONS

OVERLEAF: D4824-A1

Address: 6810 220<sup>th</sup> St. SW  
Mountlake Terrace, WA 98043  
USA

Phone #: 425-744-0444  
Fax #: 425-673-2666

Web: [rycous.com](http://rycous.com)  
E-mail: [sales@rycous.com](mailto:sales@rycous.com)





## #113B TOTE DUMPER FLOOR LIFT/TWO STAGE

### **RYCO HYDRAULIC TOTE DUMPER**

designed for the special conditions of fish processing plants. Stainless steel construction, self contained, portable, and high capacity.

This unique design is specifically designed to lift a tote of product from the floor and dump into a raised hopper. The dumper can be loaded with a pallet jack.

The dumper is lifted and dumped by two large hydraulic cylinders.

The unit is powered by an electric or hydraulic power unit mounted on the main frame.

#### **FEATURES:**

- Heavy stainless frame
- Large hydraulic cylinders with stainless rods
- Electric hydraulic power
- Installed dry weight 850lbs (385kg)

#### **OPTIONS:**

- Remote mounted hydraulic unit



SPECIFICATIONS MAY CHANGE, CONTACT RYCO FOR SPECIFIC APPLICATIONS

OVERLEAF:D4620-A1

Address: 6810 220<sup>th</sup> St. SW  
Mountlake Terrace, WA  
98043  
USA

Phone #: 425-744-0444  
Fax #: 425-673-2666

Web: [rycous.com](http://rycous.com)  
E-mail: [sales@rycous.com](mailto:sales@rycous.com)

